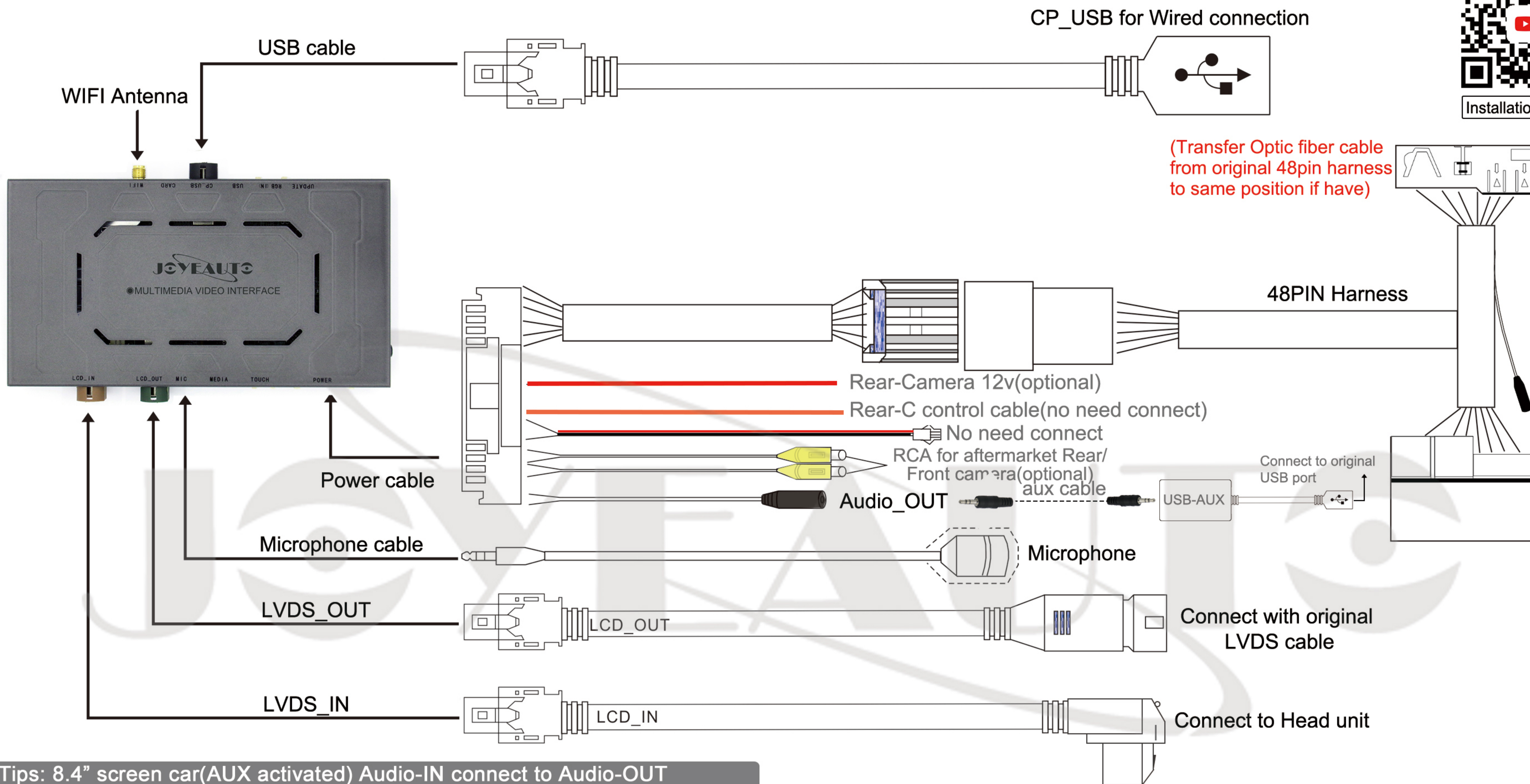


Mercedes NTG5 Wireless CarPlay installation diagram



Installation Video



Tips: 8.4" screen car(AUX activated) Audio-IN connect to Audio-OUT
 7.2" screen car Audio-OUT connect to aux-usb adapter,ignore Audio-IN

Dip Switch



| Dip switch | Status | | | Description |
|------------|--------|-----|-----|--------------------------|
| 1,2,3 | ON | OFF | OFF | 15-18 C/GLC 8.4" |
| | OFF | OFF | OFF | 15-18 G/GLC 7.2 |
| | OFF | ON | OFF | 15-18 A/B/E/GLE.. 7" |
| | ON | ON | OFF | 15-18 S class W222 |
| | OFF | ON | ON | 15-18 S W222(if flicker) |
| 4 | ON | | | Reverse guideline OFF |
| | OFF | | | Reverse guideline ON |
| 8 | ON | | | Original Rear camera |
| | OFF | | | Aftermarket Rear camera |

5, 6, 7 no function, default OFF.

Joystick knob controls

Press "★" use Siri

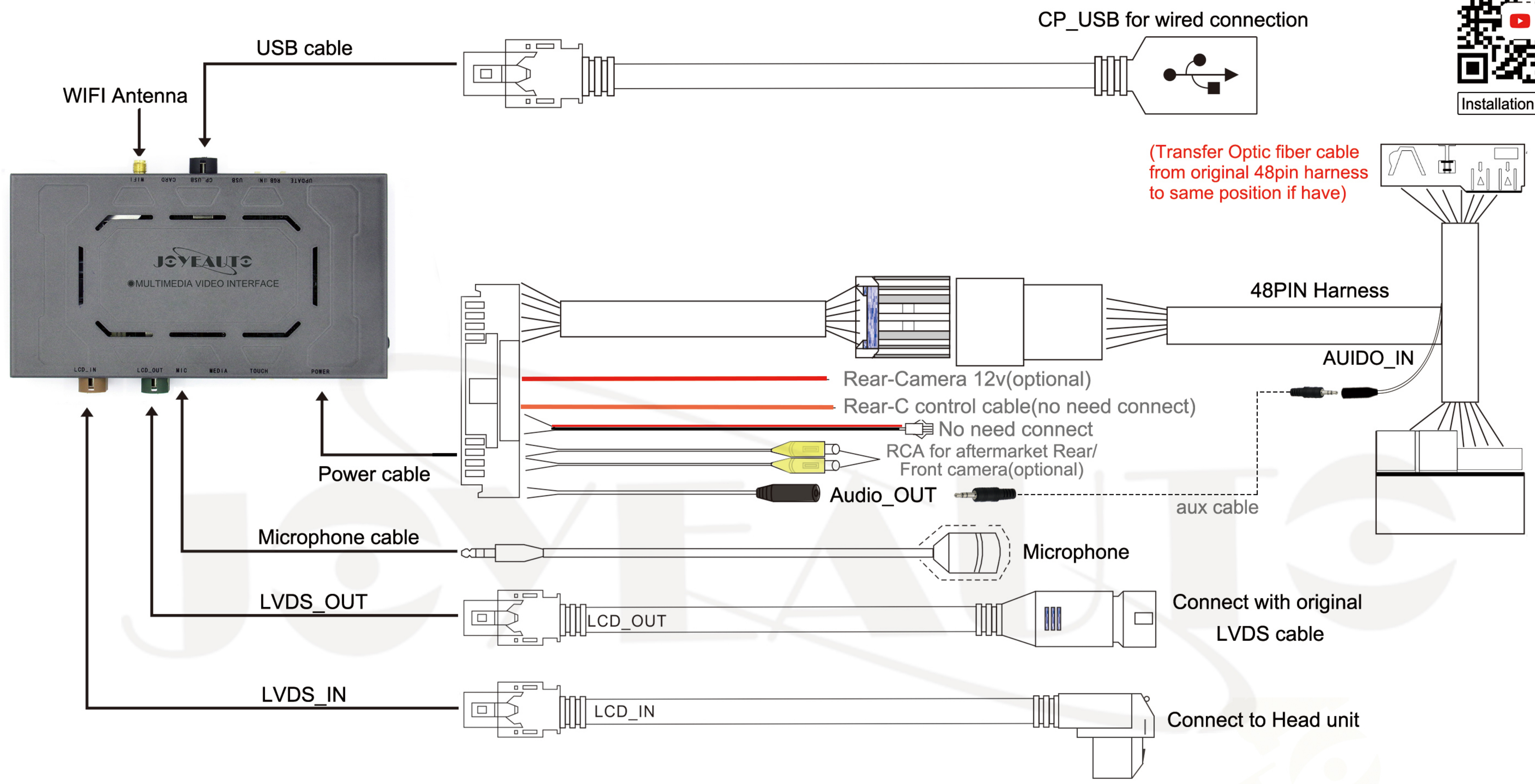
Long press "back" swith to CarPlay,short press use return

Select AUX External before switch to CarPlay

Mercedes NTG4.5 Wireless CarPlay installation diagram



Installation Video



(Transfer Optic fiber cable from original 48pin harness to same position if have)

Dip Switch



| Dip switch | Status | Description |
|------------|--------|-----------------------|
| 1 | ON | NTG4.5 5.8"(480*234) |
| | OFF | NTG4.5 7"(800*480) |
| 4 | ON | Reverse guideline OFF |
| | OFF | Reverse guideline ON |
| 8 | ON | Original camera |
| | OFF | Aftermarket camera |

2, 3, 5, 6, 7 all set OFF.

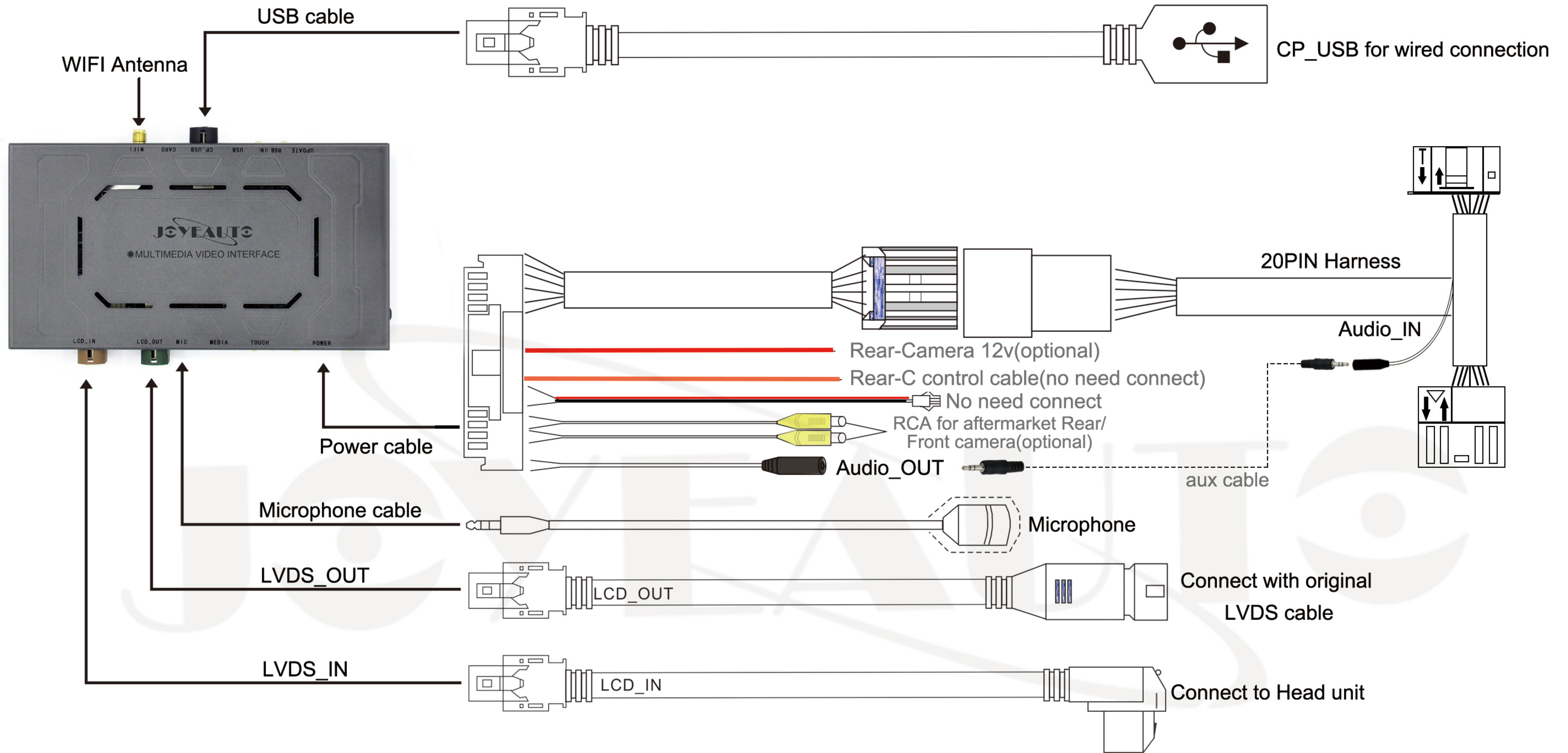
Joystick knob controls

Press "C" use Siri

Long press "Back" switch to CarPlay, short press use return

Select AUX before switch to CarPlay

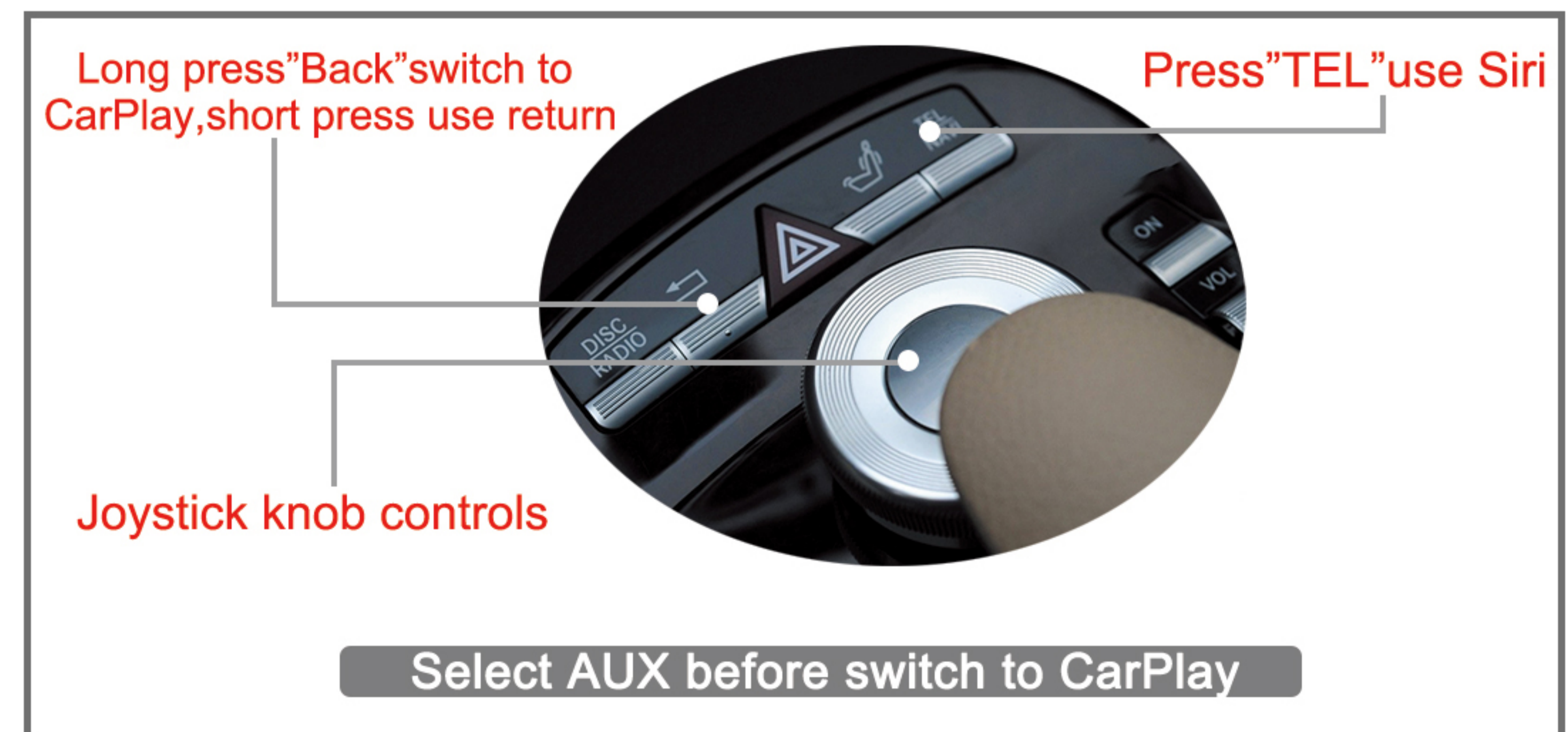
Mercedes W221(10-14) Wireless CarPlay installation diagram



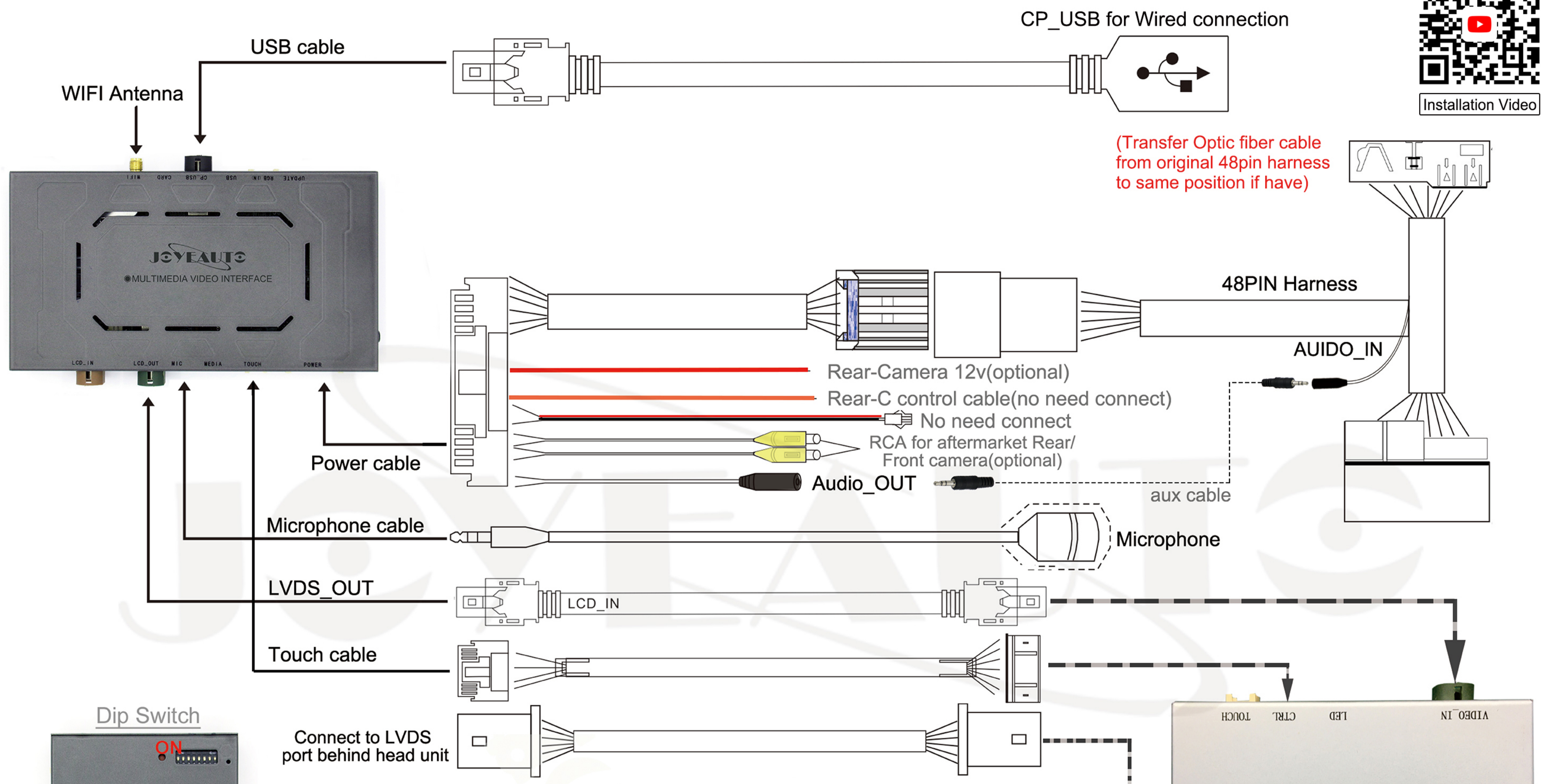
Dip Switch



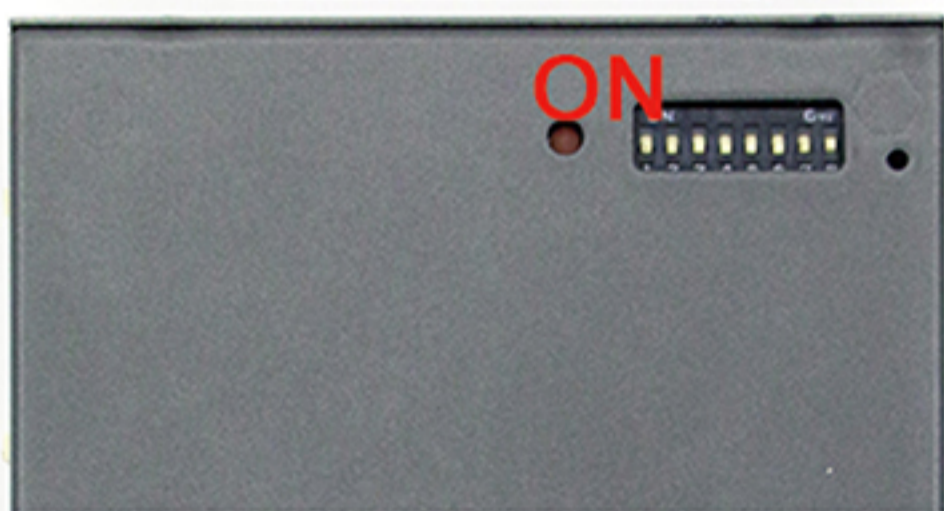
| Dip switch | Status | Description |
|-------------------------|---------|---|
| 1, 2 | ON OFF | 8 inch screen (adjustable angle screen) |
| | OFF OFF | 8 inch screen (fixed screen) |
| | OFF ON | 8 inch screen (adjustable angle screen 2) |
| 4 | ON | Reverse guideline OFF |
| | OFF | Reverse guideline ON |
| 8 | ON | Original Rear camera |
| | OFF | Aftermarket Rear camera |
| 3, 5, 6, 7 all set OFF. | | |



Mercedes NTG4.0 Wireless CarPlay installation diagram



Dip Switch



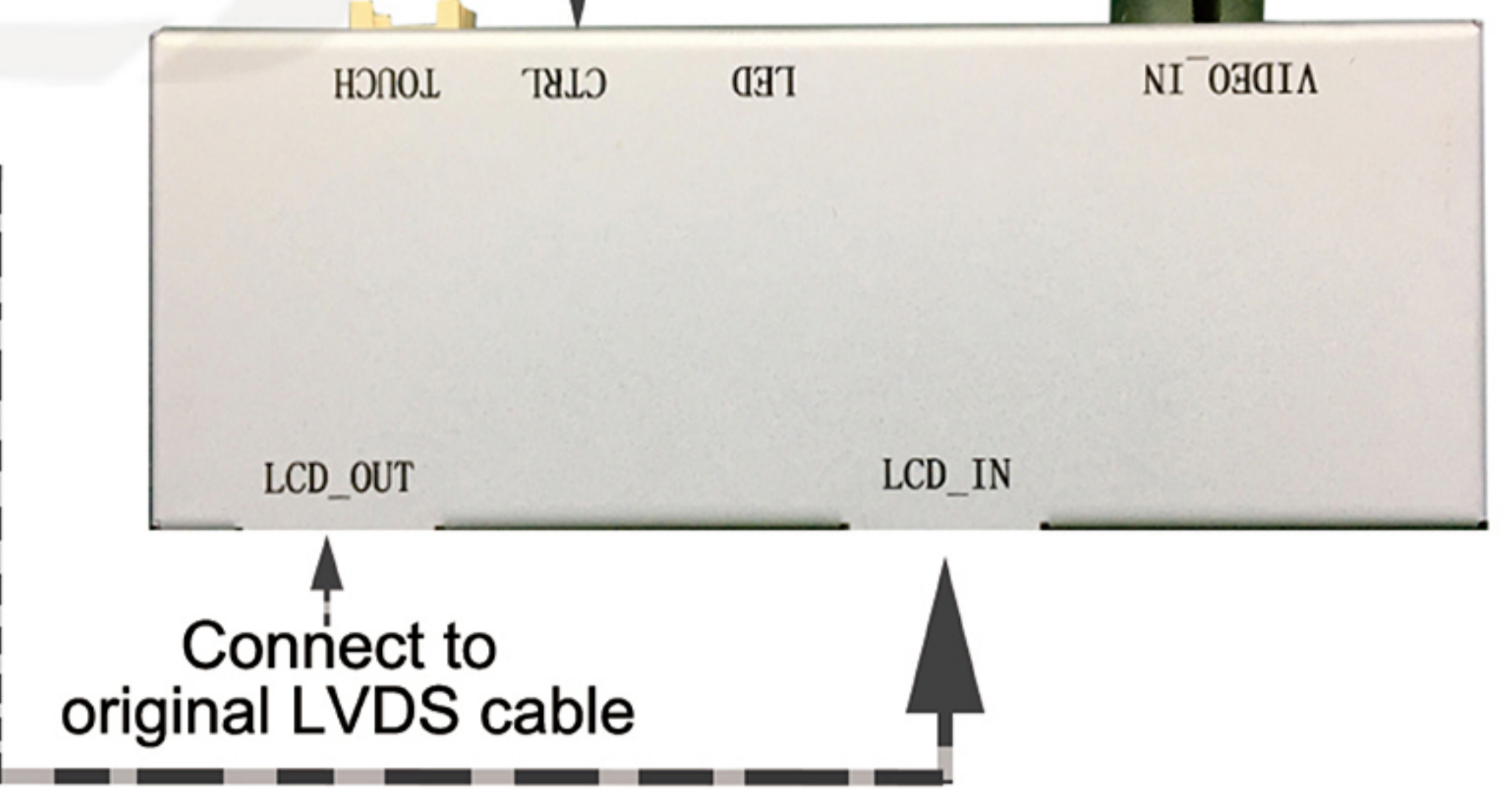
| Dip switch | Status | Description |
|-----------------------------------|--------|---------------------------|
| 1,2 | ON OFF | NTG4.0 5.8"(480*234) |
| | OFF ON | NTG4.0 7"(800*480) |
| | ON ON | NTG4.0 7" flexible screen |
| 4 | ON | Reverse guideline OFF |
| | OFF | Reverse guideline ON |
| 8 | ON | Original Rear camera |
| | OFF | Aftermarket Rear camera |
| 3, 5, 7 no function, all set OFF. | | |

Joystick knob controls

Press "C" use Siri

Long press "Back" switch to CarPlay, short press use return

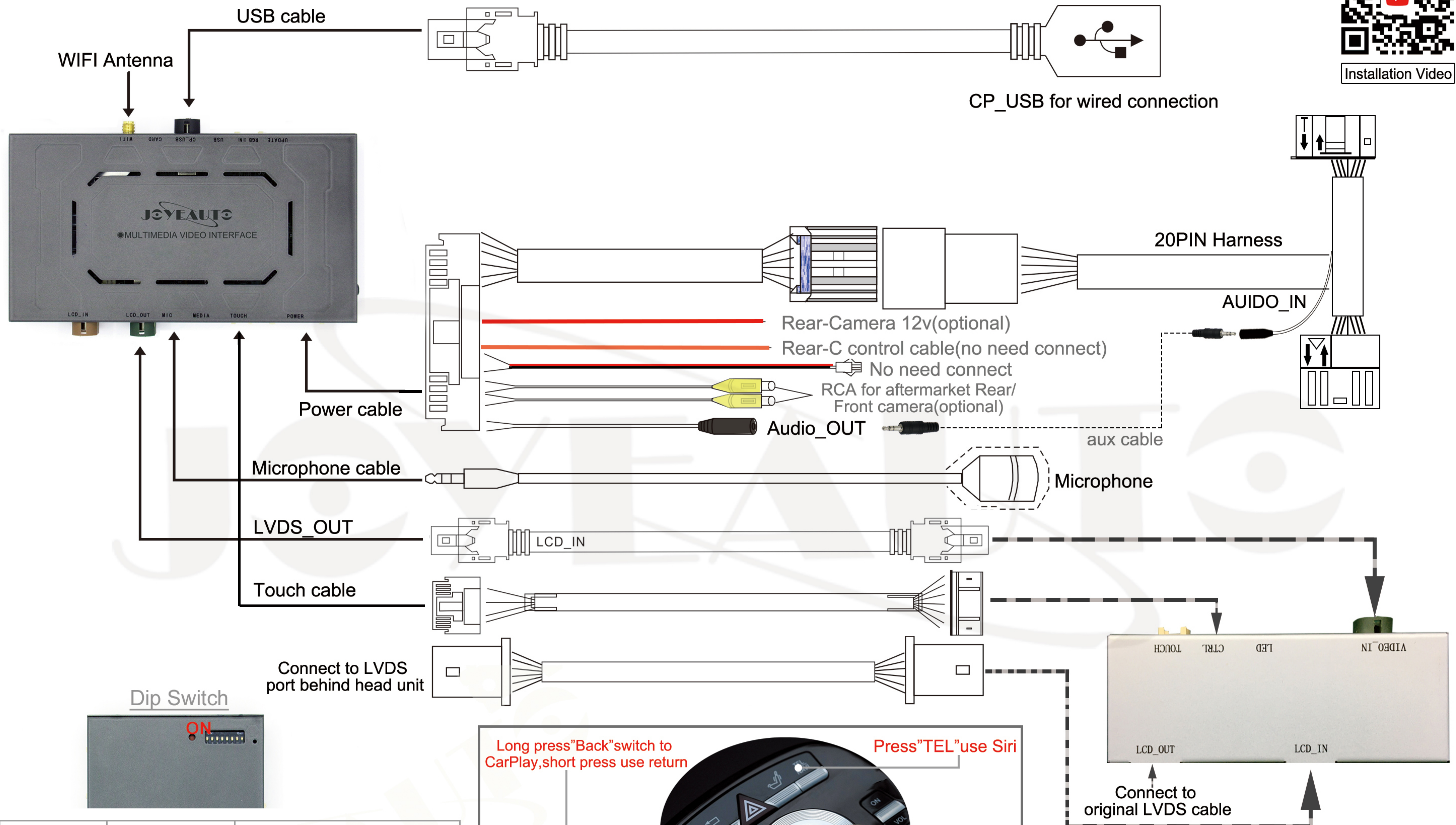
Select AUX before switch to CarPlay



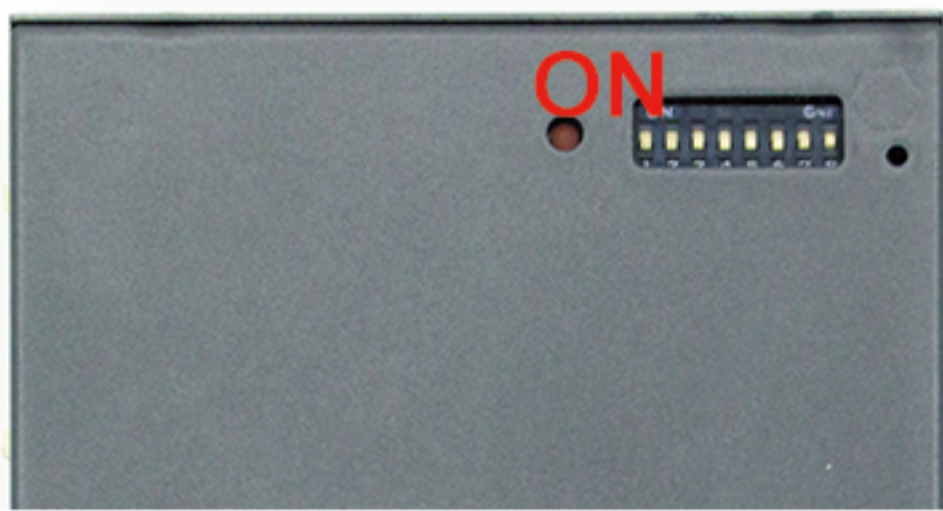
Mercedes W221(06-09) Wireless CarPlay installation diagram



Installation Video



Dip Switch



| Dip switch | Status | Description |
|-------------------------|--------|-------------------------|
| 1,3 | ON | for S class W221 |
| 4 | ON | Reverse guideline OFF |
| | OFF | Reverse guideline ON |
| 8 | ON | Original Rear camera |
| | OFF | Aftermarket Rear camera |
| 2, 5, 6, 7 all set OFF. | | |

Long press "Back" switch to CarPlay, short press use return

Press "TEL" use Siri

Joystick knob controls

Select AUX before switch to CarPlay

